

ISO A3

REV.

DATE

DESCRIPTION

BY

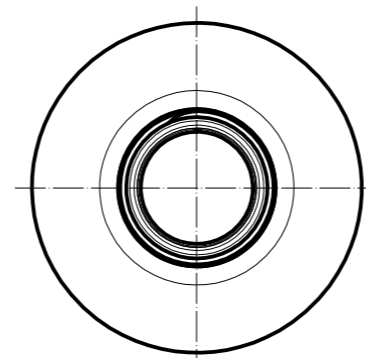
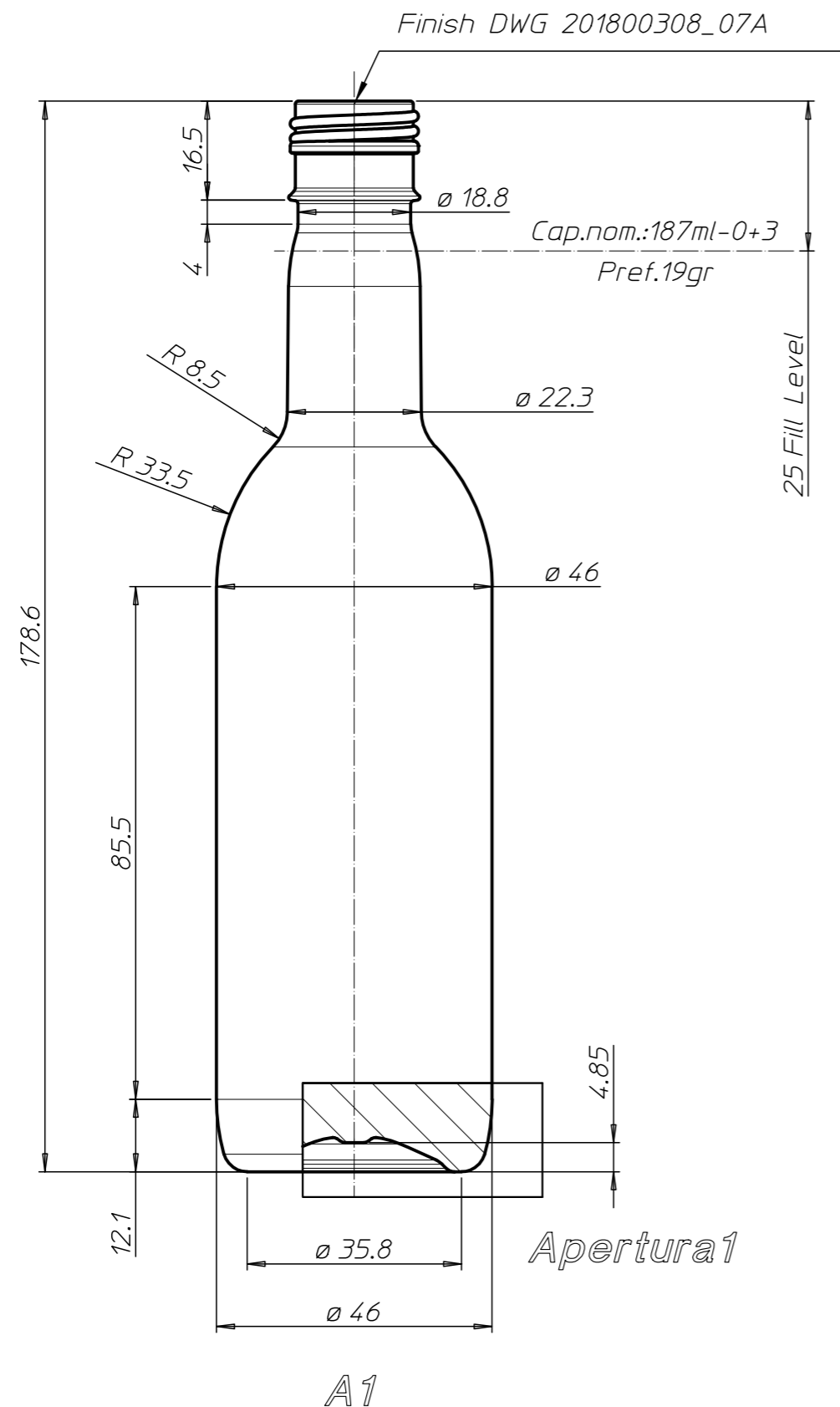
*

*

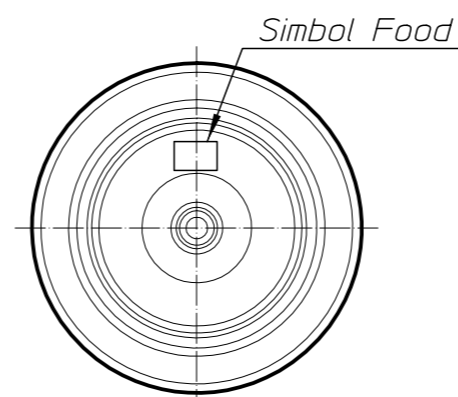
*

*

Finish DWG 201800308_07A


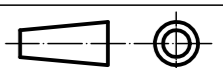


Top View



Bottom View



MATERIAL <i>PLA</i>		QTY. REQUIRED *	HARD. TREAT. *	COATING SURF. *
 SIMEX srl Moulds Division Via Biagi e D'Antona,5 60025 Loreto (AN) Italy Tel. +39 071 7500214 Fax. +39 071 7501958 www.simexitaly.it		THIS DRAWING IS THE PROPERTY OF SIMEX srl. ALL RIGHTS ARE RESERVED AND NEITHER THIS DRAWING NOR ANY INFORMATION IT CONTAINS IS TO BE COPIED, REPRODUCED DISCLOSED TO OTHERS OR USED WITHOUT THE PRIOR WRITTEN PERMISSION FROM SIMEX srl.		METRIC DIMENSIONS ARE IN MILLIMETERS 
		DRAWN <i>p.l.</i> CHECKED <i>p.l.</i> APPROVED <i>c.p.</i>	DATE * DATE * DATE *	SCALE <i>1:1</i> SHEET <i>1</i> of <i>1</i> JOB NO. <i>153_19-12-18</i>

Last update: 08.02.2019